



DA-P 10-130/T-EN54

- quick mounting
- high-impact ABS plastic
- BS 5839



EN 54-24:2008
Ref. Nr.: 021-18
ID-Code: SAA-LS21
1438-CPR-0388

ic audio GmbH, Boehringerstraße 14a,
D-68307 Mannheim, Germany

CE-Symbol gemäß Richtlinie 93/68EWG

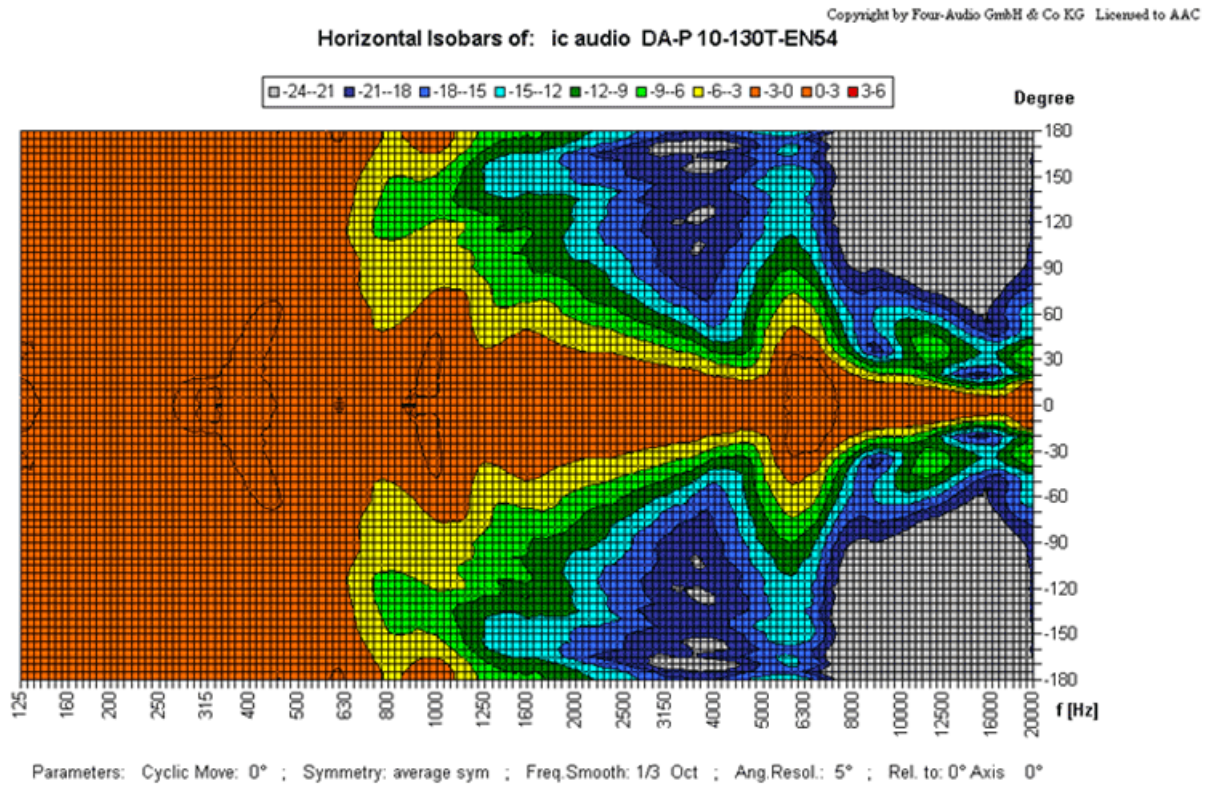
The 10W powered speaker is equipped with a 130mm full-range loudspeaker and a 100V line transformer with 4 power adjustments. A robust ABS plastic housing in RAL9016 and a solid aluminum mounting bracket ensure an enduring installation of this speaker.

A 2 pin-ceramic block and a thermal fuse in a junction box provide additional reliability. The speaker chassis is impregnated against wetness.

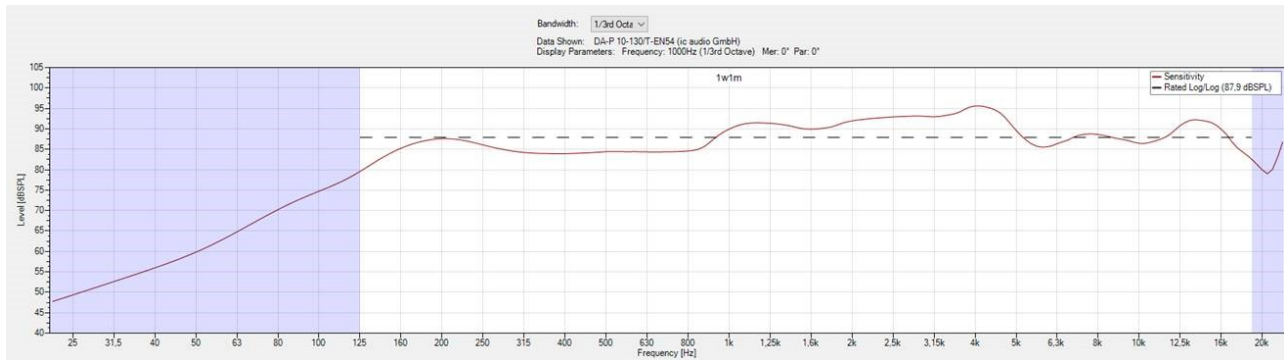
The speaker is compliant with the British Standard BS 5839, Part 8.

A mast bracket (MB) is optionally available for 90-200mm mast diameter.

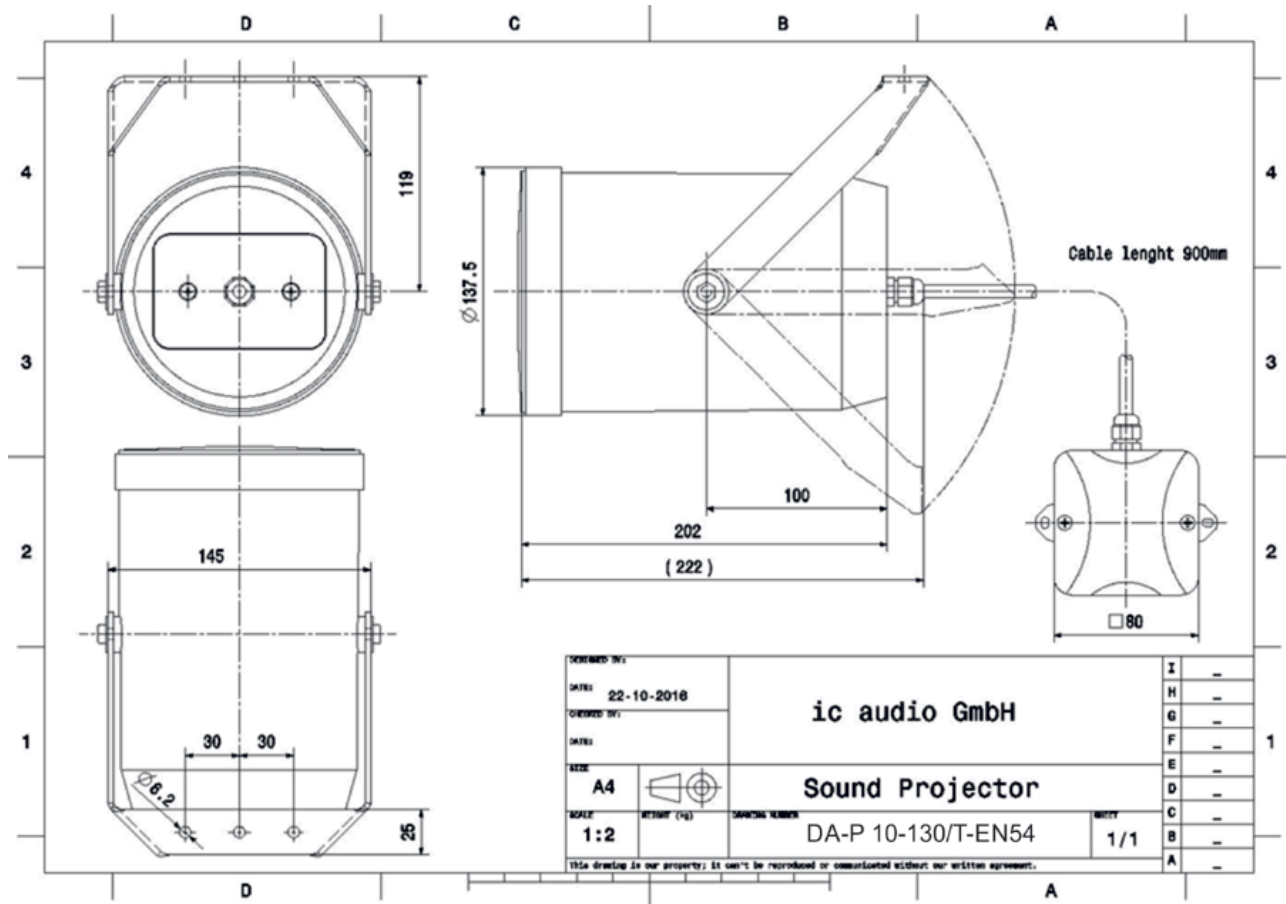
Polar Diagrams



Frequency Response Diagrams



Technical Diagrams



Technical Data (Electrical)

Description	DA-P 10-130/T-EN54
Power	10/5/2,5/1,25 W
Frequency Range	150 - 20.000 Hz
Frequency Response	120 - 21.000 Hz
SPL 1W/1m, peak	99,5 dB
SPL , 1W/4m, peak	87,5 dB
SPL Pmax/4m, peak	97,5 dB
SPL, rated noise power / 4m	86,0 dB
Sensitivity EN54-24, 1W/4m	75,0 dB
Dispersion -6dB, 500Hz	360°
Dispersion -6dB, 1KHz	252°
Dispersion -6dB, 2KHz	110°
Dispersion -6dB, 4KHz	58°

Technical Data (Mechanical)

Dimensions	137x 200mm
IP Rating	IP66
Weight (net)	1,44kg
Temperature range	-25 / +70 C°
Mounting	Mounting bracket
Connector	2-pin ceramic block
Maximum cable cross section	8mm ²
Max. cable cross section loop	2x2mm ²
Colour	RAL9016

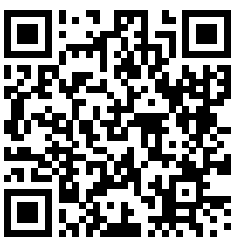
Product Attributes



ic audio loudspeakers are tested and classified according to the IEC standard 60529 (degree of protection by enclosure) against the penetration of foreign objects and moisture. The classification is conforming to standards through characterization with a fixed code. This code consists of the letters IP (International Protection) followed by two digits. The first digit indicates the degree of protection against dust and the second digit the degree of protection against water. Please note that the testing of the products has been carried out in laboratory conditions which are not always 100% comparable with the conditions of different installation environments. This protection can be reduced due to normal wear and tear depending on the installation environment.

RoHS compliant (2011/65/EU)

The IP rating specified is based on ic audio test results, not on CNBOP-PIB test results. Certification only verifies the minimum requirements for EN54-24 compliance.



Article Nr.: 20173441

Packing Unit: 8

