



## DA-P 10-260/T-EN54

- quick mounting
- high impact ABS plastic
- PG7 cable gland



EN 54-24:2008  
Ref. Nr.: 020-17  
ID-Code: SAA-LS20  
1438-CPR-0388

ic audio GmbH, Boehringerstraße 14a,  
D-68307 Mannheim, Germany

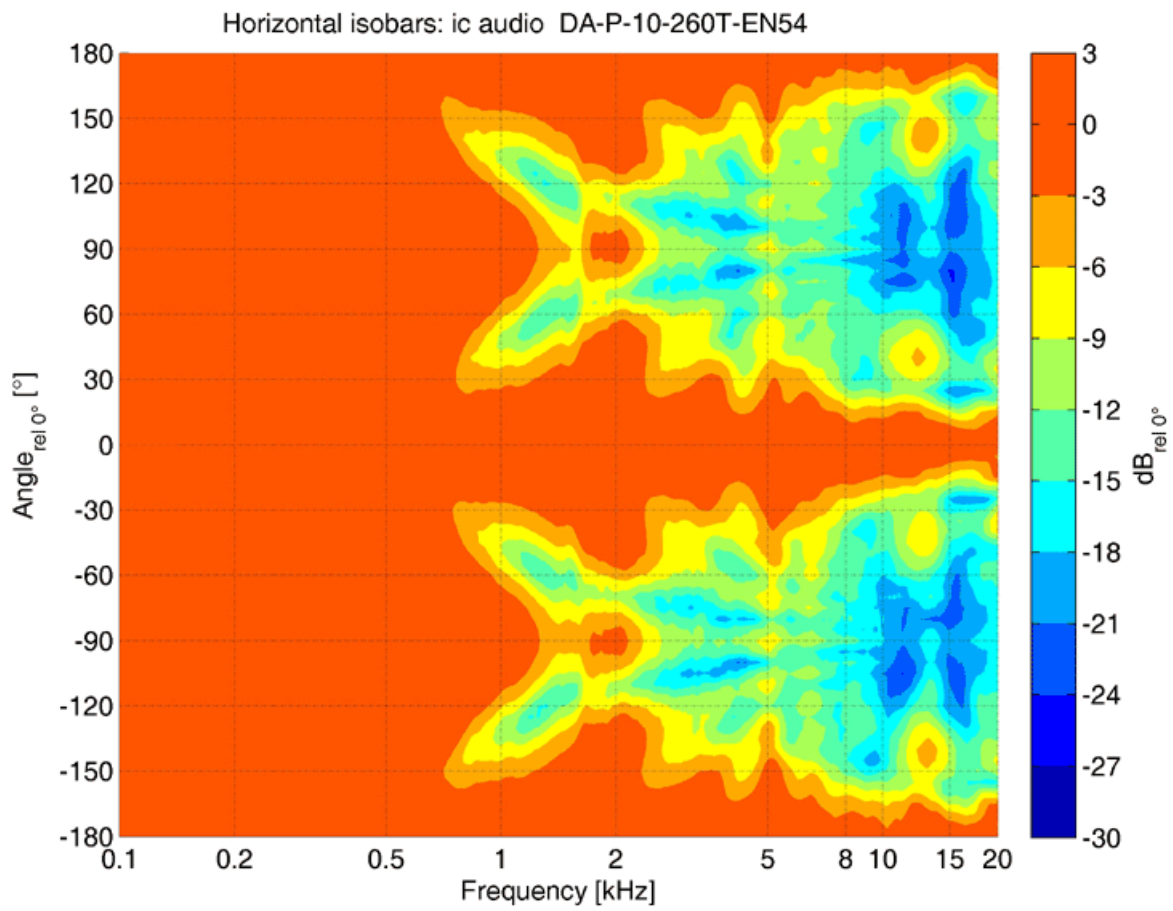
CE-Symbol gemäß Richtlinie 93/68EWG

The 10W powered bi-directional speaker is equipped with two 130mm full-range loudspeakers and a 100V line transformer with 3 power adjustments. A robust ABS plastic housing in RAL 9016 and a solid aluminium mounting bracket ensures the permanent installation of this speaker.

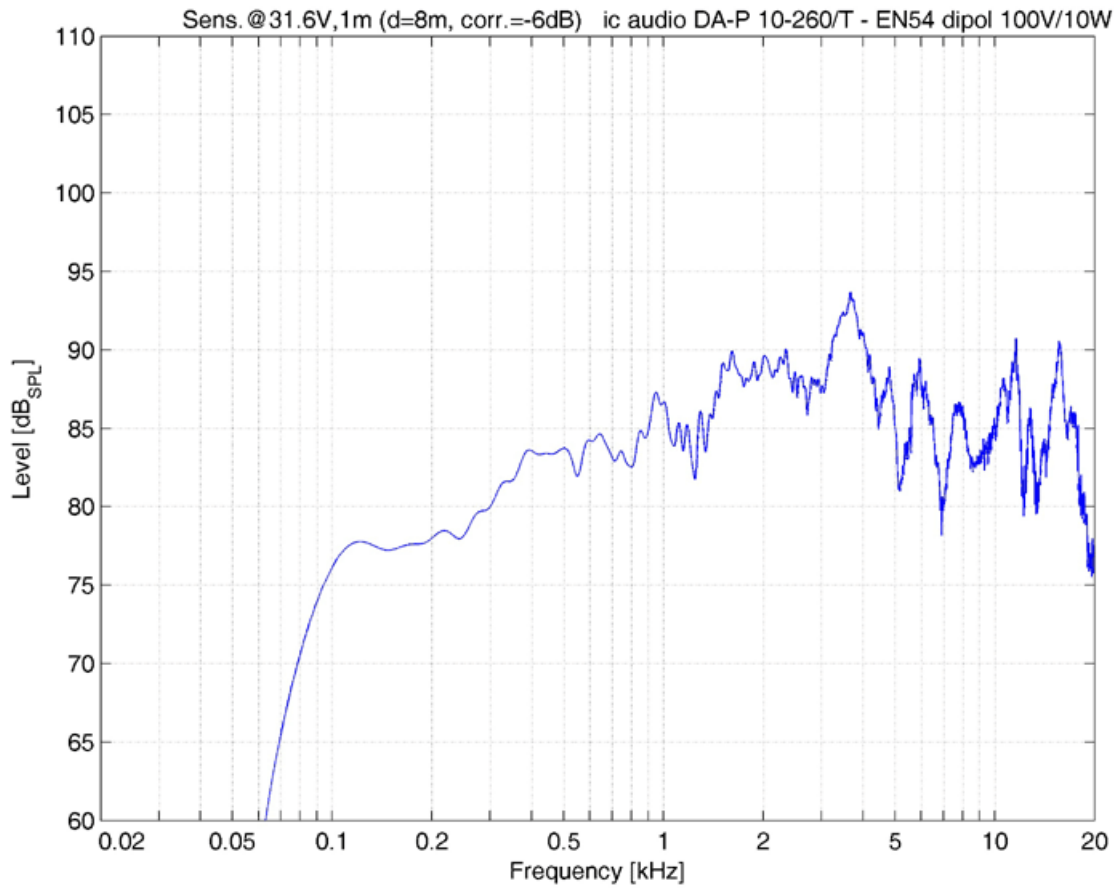
For additional reliability, a ceramic block and a thermal fuse are provided in a junction box and the speaker chassis is impregnated against wetness.

The speaker is compliant with the British Standard BS 5839, Part 8.

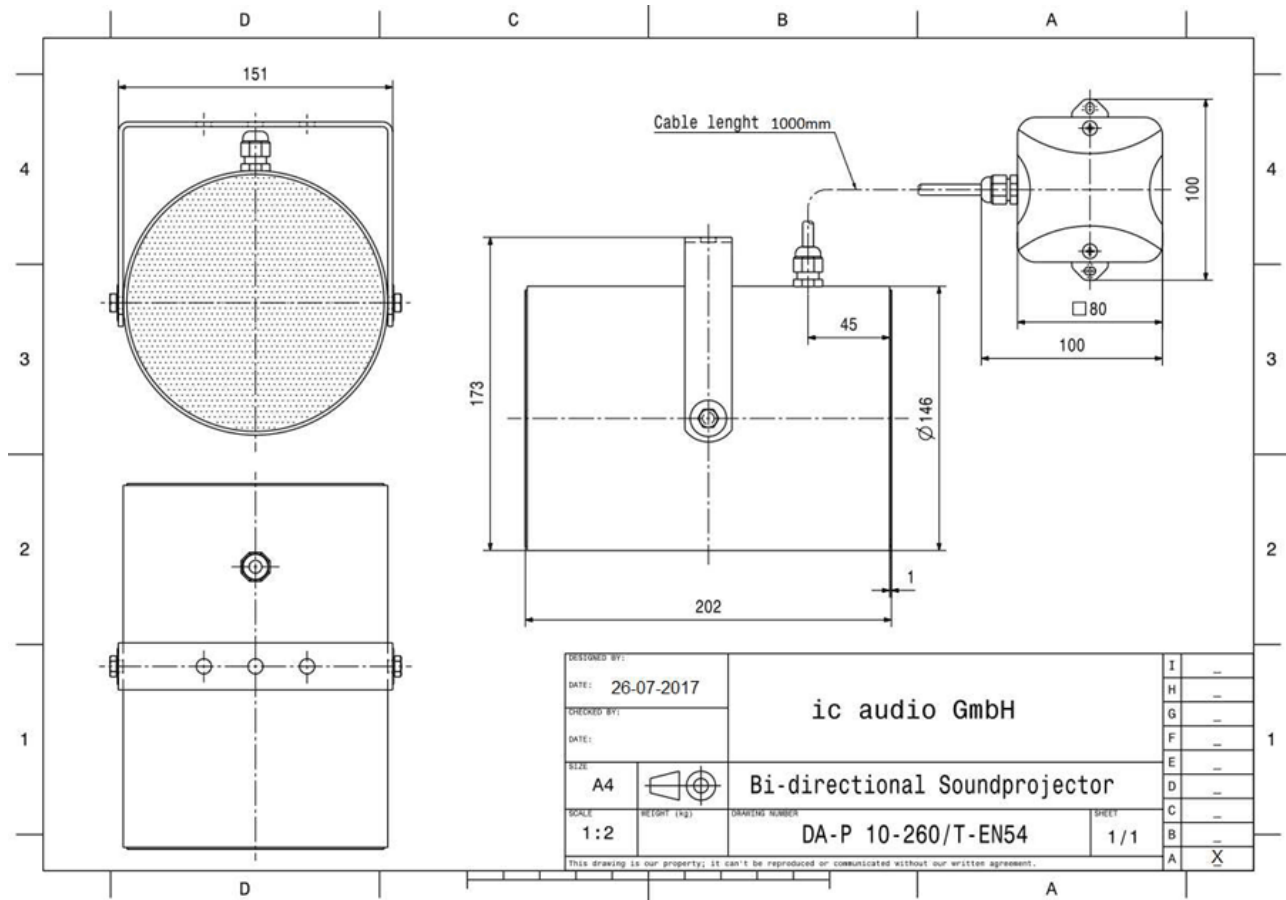
### Polar Diagrams



## Frequency Response Diagrams



## Technical Diagrams



## Technical Data (Electrical)

|                             |                       |
|-----------------------------|-----------------------|
| Description                 | DA-P 10-260/T-EN54    |
| Power                       | 10/5/2,5 W            |
| Impedance (100V)            | 1000/2000/4000 ohm    |
| Frequency Range             | 100 - 20.000 Hz       |
| Frequency Response          | 90 - 25.000 Hz        |
| SPL 1W/1m, peak             | 90,7 dB               |
| SPL , 1W/4m, peak           | 78,7 dB               |
| SPL Pmax/4m, peak           | 88,7 dB               |
| SPL, rated noise power / 4m | 82,5 dB               |
| Sensitivity EN54-24, 1W/4m  | 73,6 dB               |
| Sensitivity EN54-24, 1W/1m  | 85,6 dB               |
| Dispersion -6dB, 500Hz      | h / v 2x130° / 2x130° |
| Dispersion -6dB, 1KHz       | h / v 2x170° / 2x170° |
| Dispersion -6dB, 2KHz       | h / v 2x160° / 2x160° |
| Dispersion -6dB, 4KHz       | h / v 2x65° / 2x65°   |

## Technical Data (Mechanical)

|                   |                    |
|-------------------|--------------------|
| Dimensions        | 202 x 163 x 170 mm |
| IP Rating         | IP56               |
| Weight (net)      | 1,82kg             |
| Temperature range | -25 / +70 C°       |
| Mounting          | Mounting bracket   |
| Connector         | ceramic block      |
| Colour            | RAL 9016           |

## Product Attributes



ic audio loudspeakers are tested and classified according to the IEC standard 60529 (degree of protection by enclosure) against the penetration of foreign objects and moisture. The classification is conforming to standards through characterization with a fixed code. This code consists of the letters IP (International Protection) followed by two digits. The first digit indicates the degree of protection against dust and the second digit the degree of protection against water. Please note that the testing of the products has been carried out in laboratory conditions which are not always 100% comparable with the conditions of different installation environments. This protection can be reduced due to normal wear and tear depending on the installation environment.

RoHS compliant (2011/65/EU)

The IP rating specified is based on ic audio test results, not on CNBOP-PIB test results. Certification only verifies the minimum requirements for EN54-24 compliance.



**Article Nr.:** 20173235

**Packing Unit:** 8

