



## DA 10-130/T-EN54

- vandal-proof
- aluminium housing
- BS 5839



EN 54-24:2008  
**Ref. Nr.:** 003-14  
**ID-Code:** SAA-LS14  
1438-CPR-0234

ic audio GmbH, Boehringerstraße 14a,  
D-68307 Mannheim, Germany

CE-Symbol gemäß Richtlinie 93/68EWG

The 10W powered speaker is equipped with a 130mm full-range loudspeaker and a 100V line transformer with 4 power adjustments. A robust powder-coated aluminum housing in RAL 9010, and a vandal-resistant feet ensure a permanent installation of this speaker. For additional reliability, a 2 pin-ceramic block and a thermal fuse is provided and the speaker chassis is impregnated against wetness.

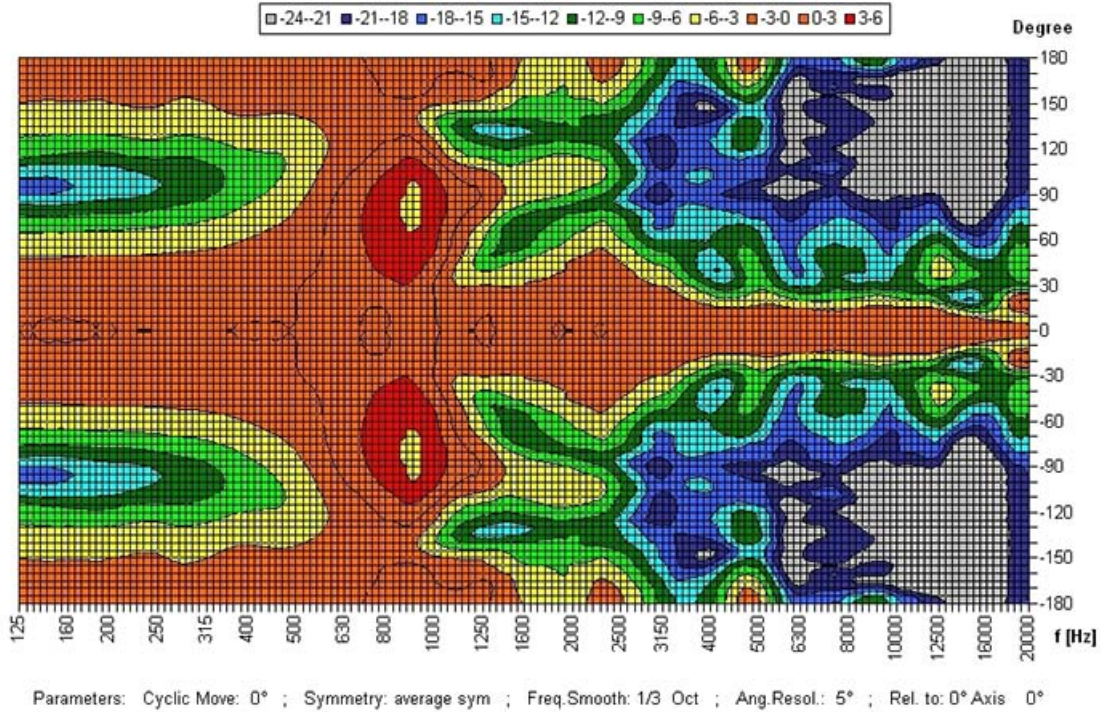
The speaker is also secured with the high protection class IP 65 against the risks of environmental influences.

Perfectly suitable for the installation in corridors and hallways. The speaker is compliant with the British Standard BS 5839, Part 8.

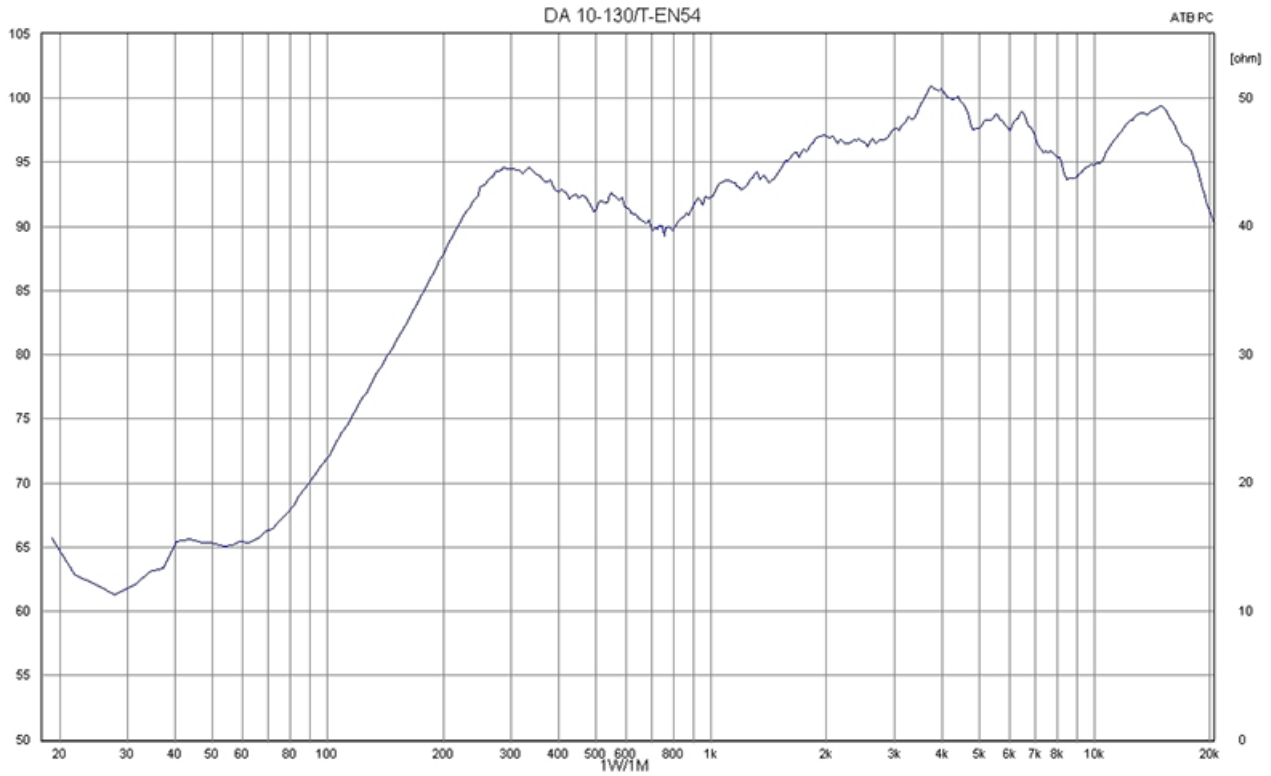
Special paint of the speaker in 4-digit RAL- or NCS- colour available at extra cost.

Polar Diagrams

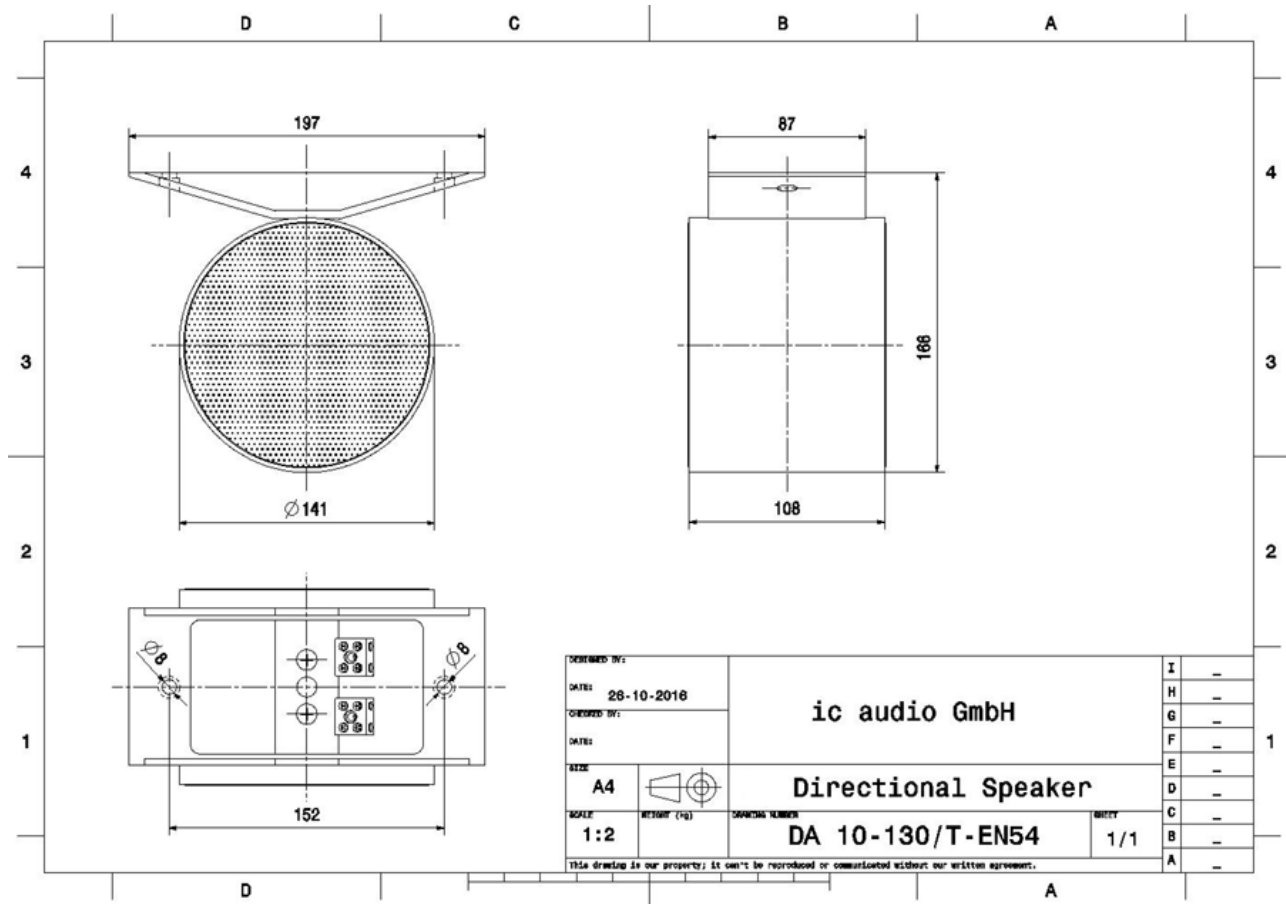
Copyright by Four-Audio GmbH & Co KG Licensed to AAC



### Frequency Response Diagrams



## Technical Diagrams



### Technical Data (Electrical)

Description	DA 10-130/T-EN54
Power	10/6/3/1,5 W
Impedance (100V)	1000/1667/3333/6667 ohm
Frequency Range	200 - 22.200 Hz
Frequency Response	150 - 23.500 Hz
SPL 1W/1m, peak	101,0 dB
SPL , 1W/4m, peak	89,0 dB
SPL Pmax/4m, peak	99,0 dB
SPL, rated noise power / 4m	90,0 dB
Sensitivity EN54-24, 1W/4m	81,0 dB
Sensitivity EN54-24, 1W/1m	90,9 dB
Dispersion -6dB, 500Hz	h/v 360°
Dispersion -6dB, 1KHz	h/v 230°
Dispersion -6dB, 2KHz	h/v 120°
Dispersion -6dB, 4KHz	h/v 50°

### Technical Data (Mechanical)

Dimensions	166x140x108 mm
IP Rating	IP65
Weight (net)	1,84 kg
Temperature range	-25 / +70 C°
Mounting	screws
Connector	2-pin ceramic block
Maximum cable cross section	8mm <sup>2</sup>
Max. cable cross section loop	2x2mm <sup>2</sup>
Colour	RAL 9010

## Product Attributes



ic audio loudspeakers are tested and classified according to the IEC standard 60529 (degree of protection by enclosure) against the penetration of foreign objects and moisture. The classification is conforming to standards through characterization with a fixed code. This code consists of the letters IP (International Protection) followed by two digits. The first digit indicates the degree of protection against dust and the second digit the degree of protection against water. Please note that the testing of the products has been carried out in laboratory conditions which are not always 100% comparable with the conditions of different installation environments. This protection can be reduced due to normal wear and tear depending on the installation environment.

RoHS compliant (2011/65/EU)

The IP rating specified is based on ic audio test results, not on CNBOP-PIB test results. Certification only verifies the minimum requirements for EN54-24 compliance.



**Article Nr.:** 20122649

**Packing Unit:** 12

